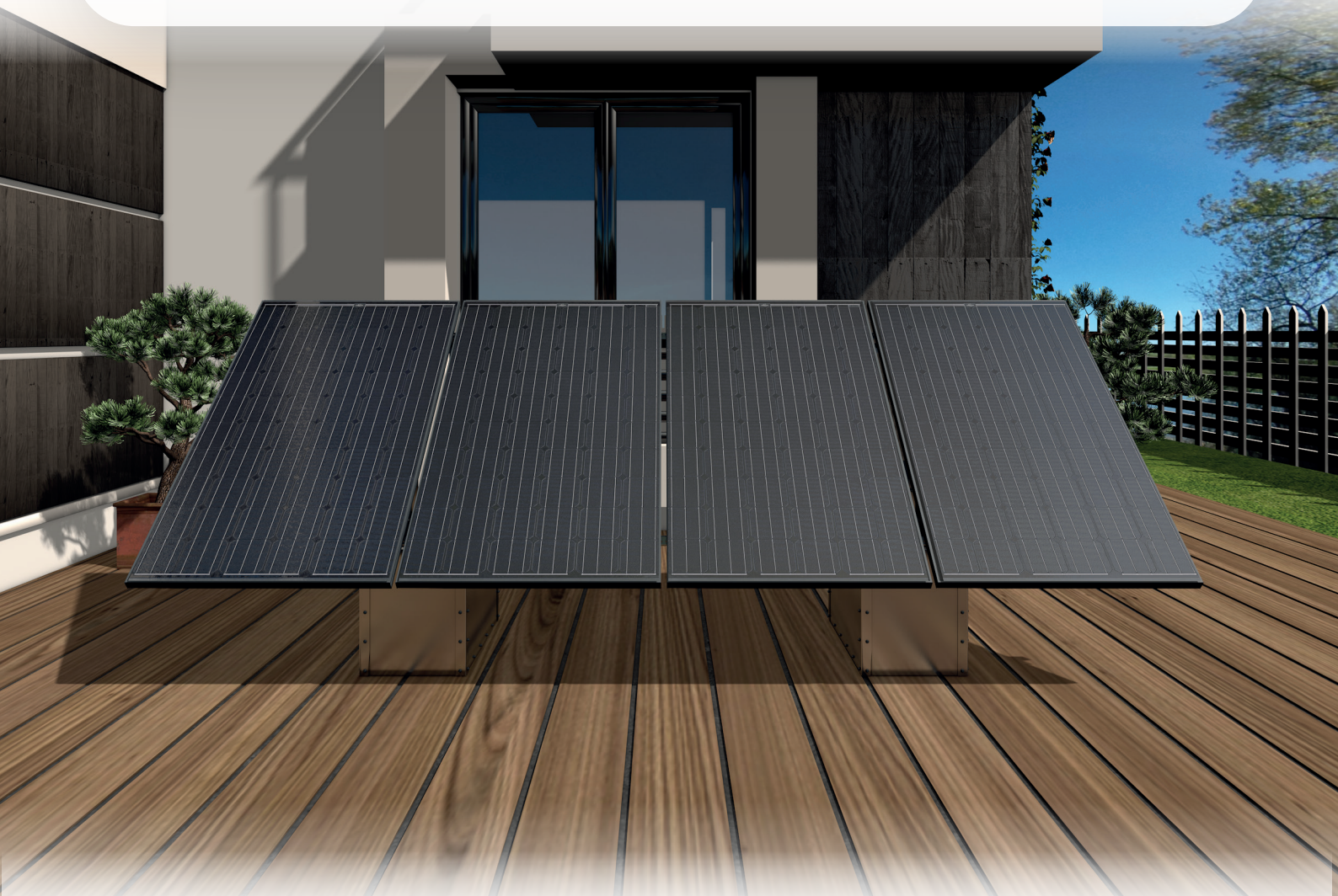




GSE GROUND SYSTEM™ V3.0

Ground-mounted system for framed photovoltaic modules

FUNCTIONAL, AESTHETIC, QUICK TO INSTALL,
SIMPLE...



CHUBB®



www.gseintegration.com



ADVANTAGES



EASY TO INSTALL
No drilling or specific masonry



COMPATIBLE WITH ALL MODULE SIZE



NO PAPERWORK NEEDED



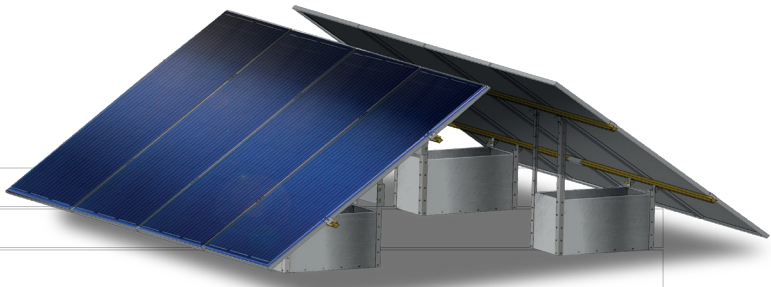
RESOLVES ROOF SPACE PROBLEMS
Portrait installation for reduced dimensions



COMPATIBLE WITH ALL TYPE OF GROUND
No problem with grass height

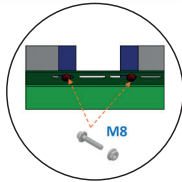
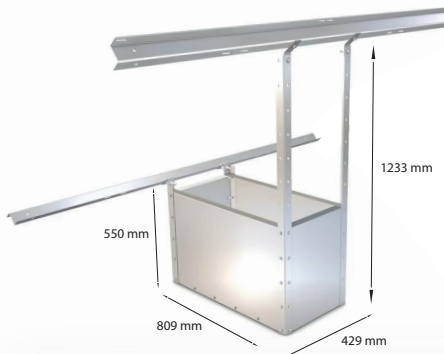
TECHNICAL SPECIFICATIONS

CONFIGURATION	Portrait installation in multiples of 2 modules
INCLINATION	Adjustable inclination from 7° to 40°
MATERIAL	Galvanized steel
WEIGHT WITHOUT BALLAST	8kg / module
BALLAST SYSTEM	Sand, gravel, cement, concrete slabs ...
SAFETY	Possibility to use microinverters: very low voltage operation for safe wiring
BAR / RAIL SIZE AVAILABLE	2320mm wide steel Z-bar for module 2.40 and 3.58m aluminum rails

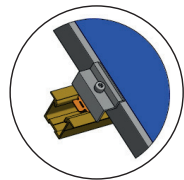
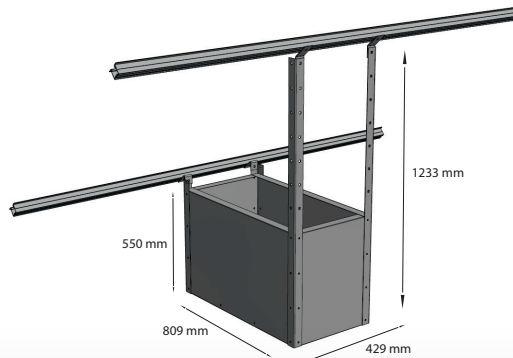


TWO MOUNTING METHODS

BOLTING ON «Z» BAR
Fixing of the modules by bolting



TRADITIONAL MOUNTING ON ALUMINUM RAIL (ON-ROOF RAIL)
Fixing of the modules using clamps



CONTACT

GSE
Intégration

GSE Intégration

155-159 rue du Dr Bauer, 93400 SAINT-OUEN FRANCE +33(0)1.49.48.14.51
contact@gseintegration.com - www.gseintegration.com

